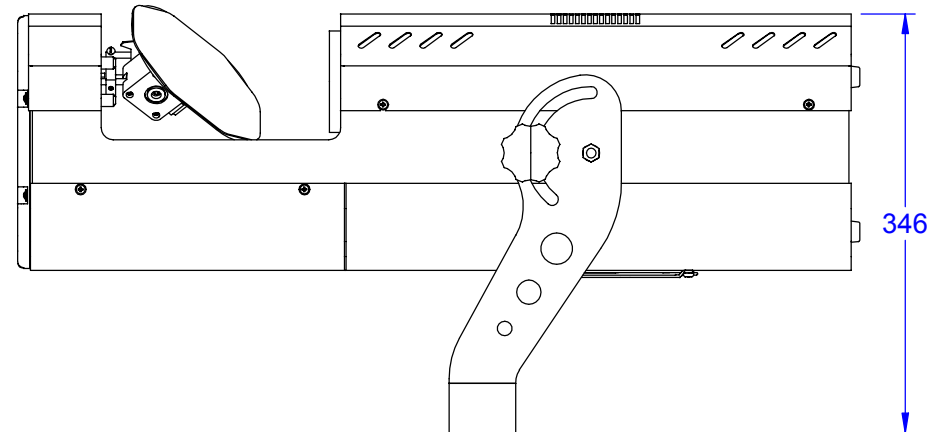
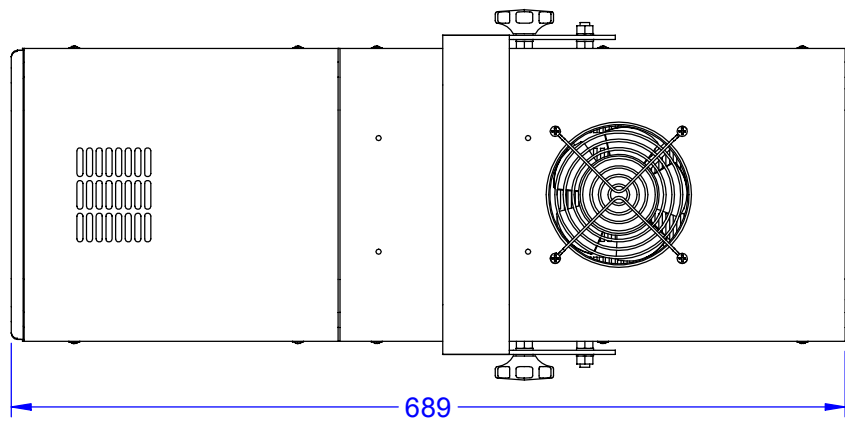
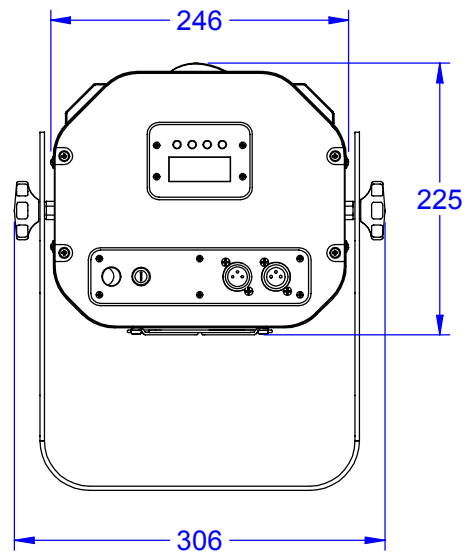


Mode 1 channel	Mode 2 channel	8bit channel	Value	Function	Type of control
9	9	7	0-95 96-127 128-159 160-191 192-223 224-255	Frost,cor. filters,3-facet prism Open position (hole) Frost filter 3-facet prism 3200 K correction filter 5600 K correction filter UV filter	step step step step step step
10	10	8	0 1-126 127-128 129-255	3-facet prism rotation control No rotation Forwards rotation from fast to slow No rotation Backwards rotation from slow to fast	step proportional step proportional
11	11	9	0-31 32-63 64-95 96-127 128-159 160-191 192-223 224-255	Rotating gobos,cont.rotation Open Rot. gobo 1 (dichroic) Rot. gobo 2 (glass) Rot. gobo 3 (glass) Rot. gobo 4 (glass) Rot.gobo 5 (glass) Rot.gobo 6 (glass) Rot. gobo wheel cont. rotation from slow to fast	step step step step step step step proportional
12	12	10	0-127 128-191 192 193-255	Rotating gobo index,rotating gobo rotation Gobo indexing Forwards gobo rotation from fast to slow No rotation Backwards gobo rotation from slow to fast	proportional proportional step proportional
13	13	11	0 1-179 180-191 192-223 224-255	Iris Open Max.diameter to min.diameter Closed Pulse closing slow to fast Pulse opening fast to slow	step proportional step proportional proportional
14	14	12	0-255	Focus Proportional focus control	proportional
15	15	13	0-31 32-63 64-95 96-127 128-159 160-191 192-223 224-255	Shutter,stroke Shutter closed No function (shutter open) Strobe-effect from slow to fast (max.10 flashes/s) No function (shutter open) Pulse-effect in sequences No function (shutter open) Random strobe-effect from slow to fast No function (shutter open)	step step proportional step proportional step proportional step
16	16	14	0-255	Dimmer intensity Gradual adjustment of the dimmer intensity from 0 to 100%	proportional



1:6,25



PRODUCT: Scan 575 XT		
TITLE: Dimensions		
DOCUMENT: All dimensions in mm.		
VERSION: A	DATE: 27.7.2004	SHEET: 1 OF 1